

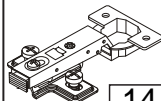






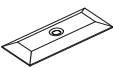



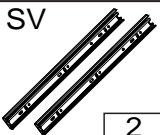




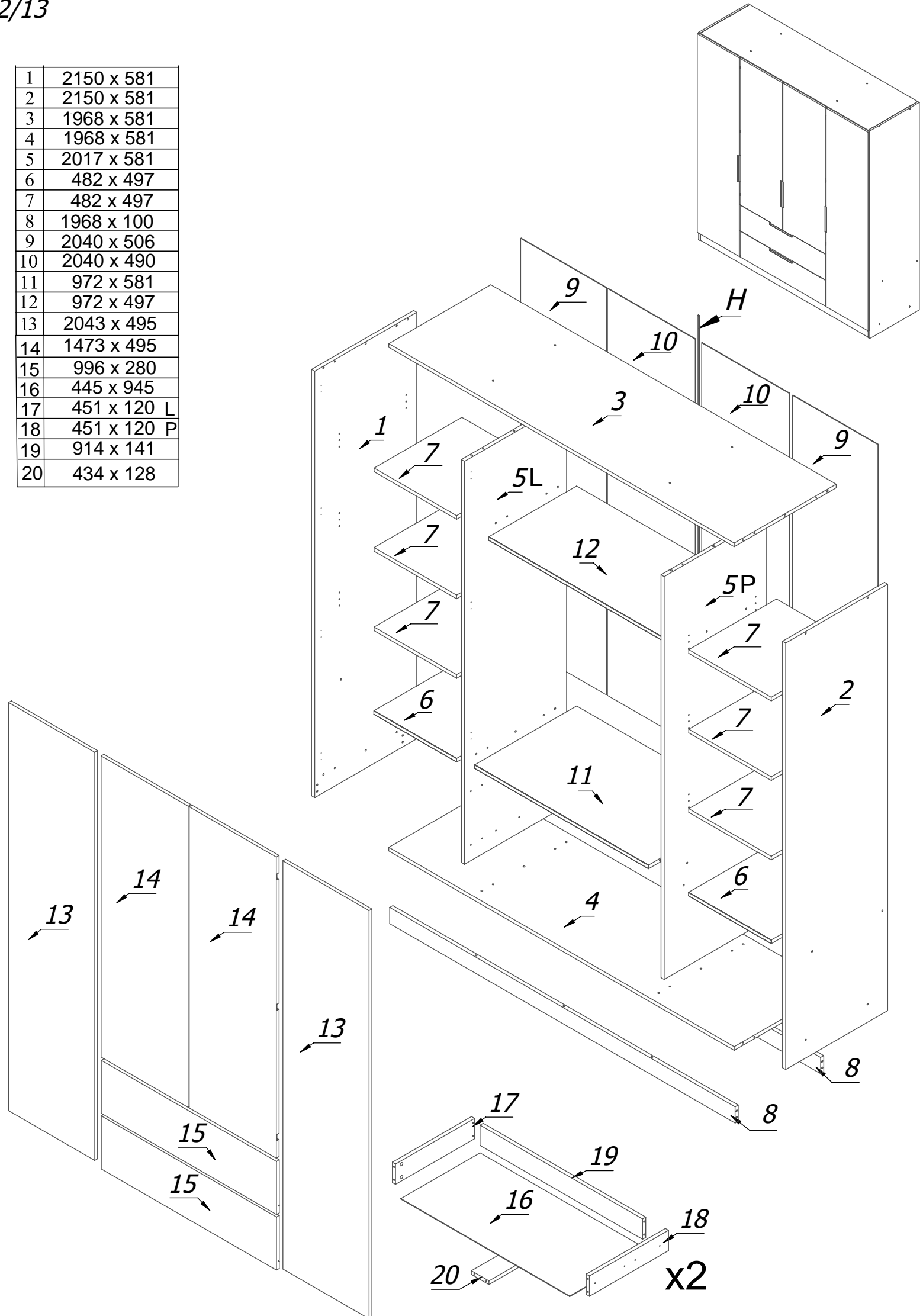

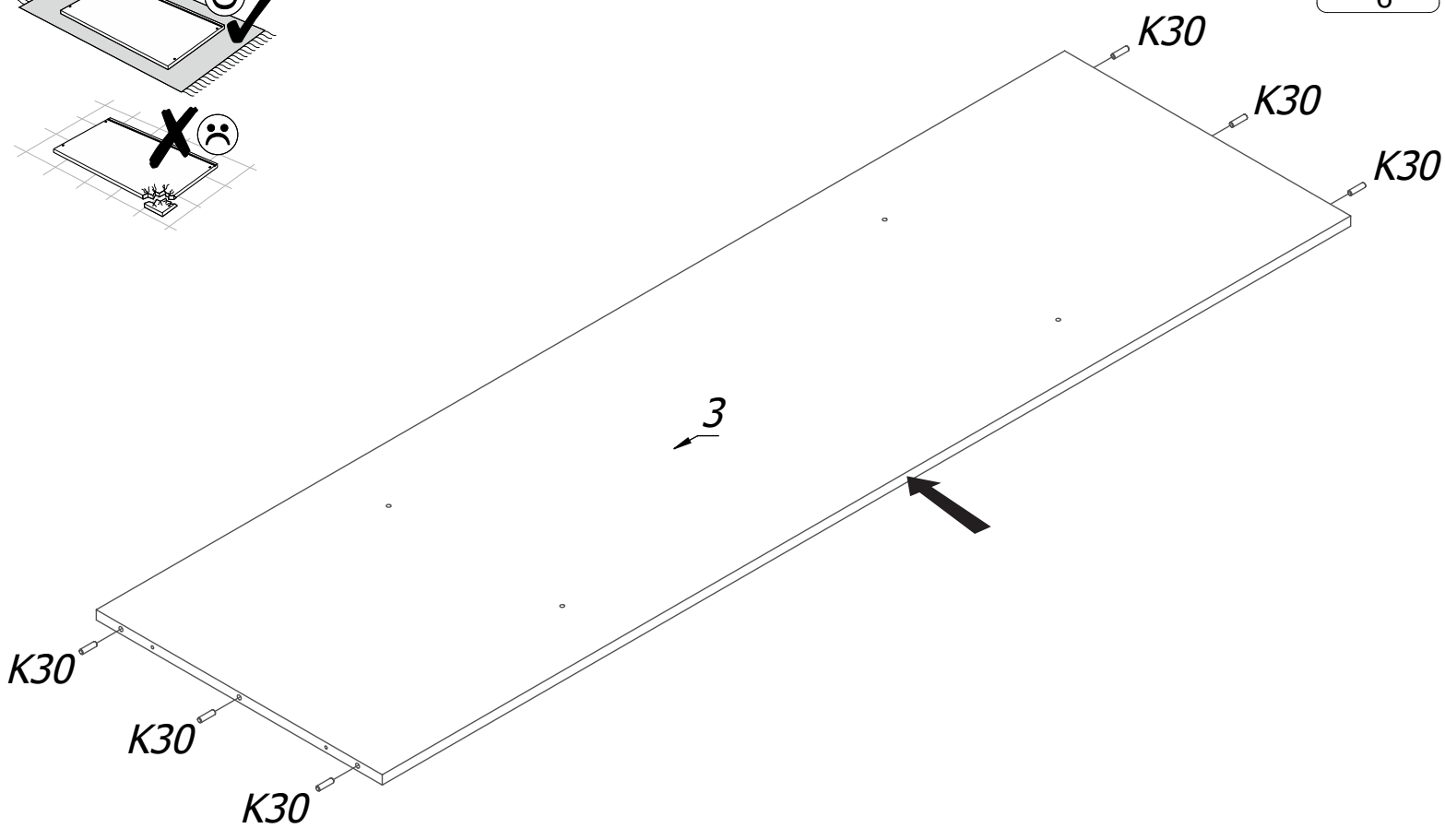
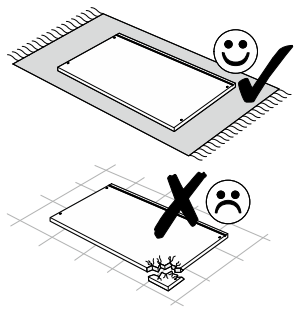



K30  48	KF50  32	ZP  14	DM L-964  1	PP  24	C  32	UD  2	W3,5x13  12
GW  24	M  24	SG  24	W3x16  62	UM  6	SV  2	TM  24	MM  24
X  24	WZM  12						

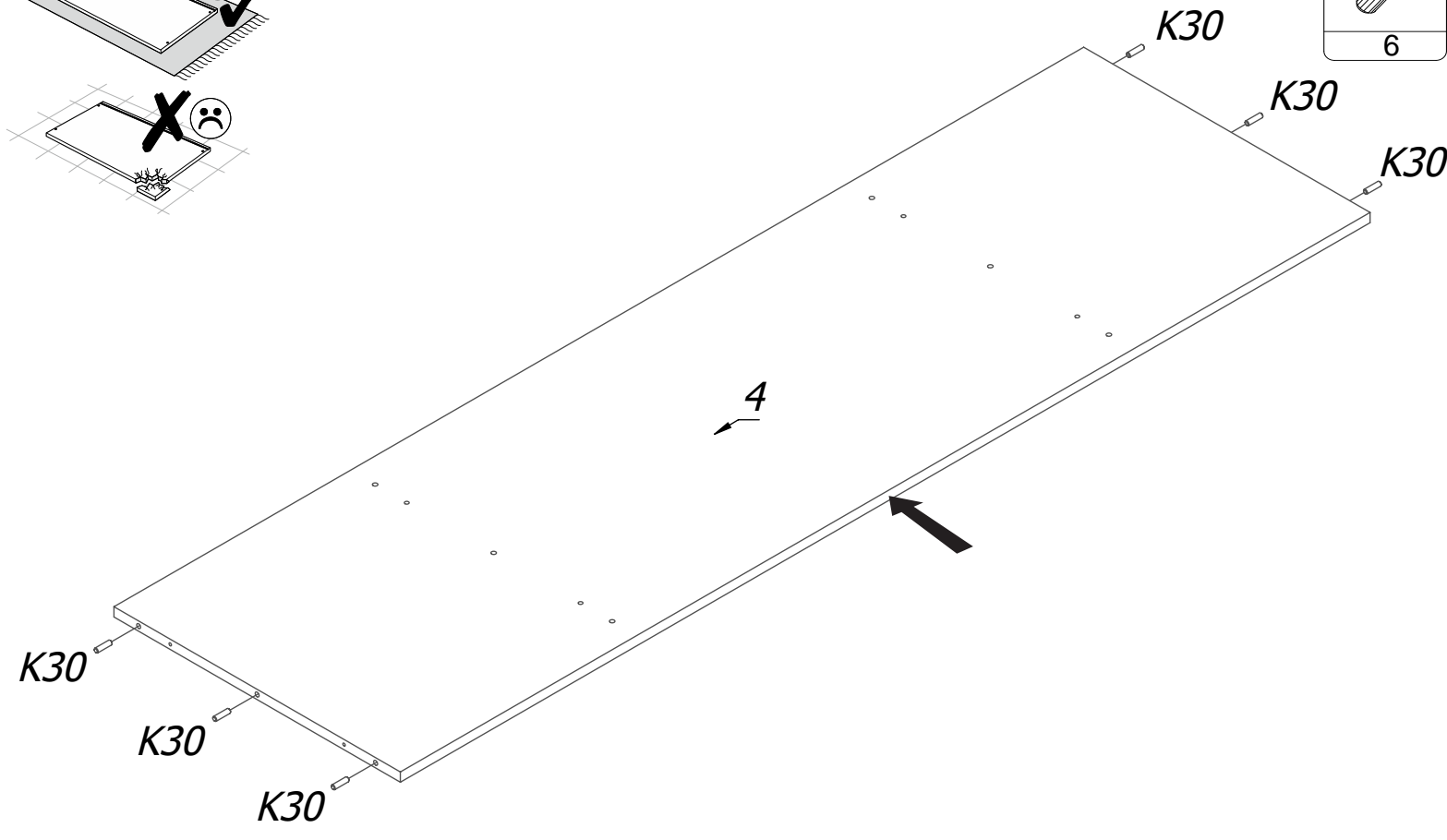
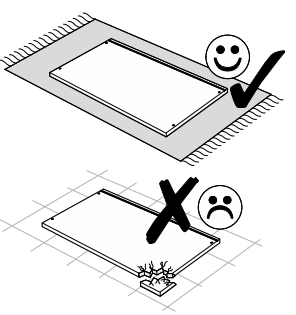
1	2150 x 581
2	2150 x 581
3	1968 x 581
4	1968 x 581
5	2017 x 581
6	482 x 497
7	482 x 497
8	1968 x 100
9	2040 x 506
10	2040 x 490
11	972 x 581
12	972 x 497
13	2043 x 495
14	1473 x 495
15	996 x 280
16	445 x 945
17	451 x 120 L
18	451 x 120 P
19	914 x 141
20	434 x 128




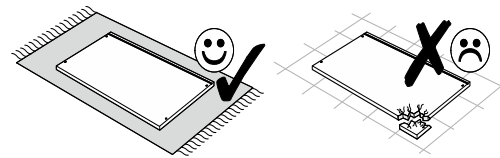
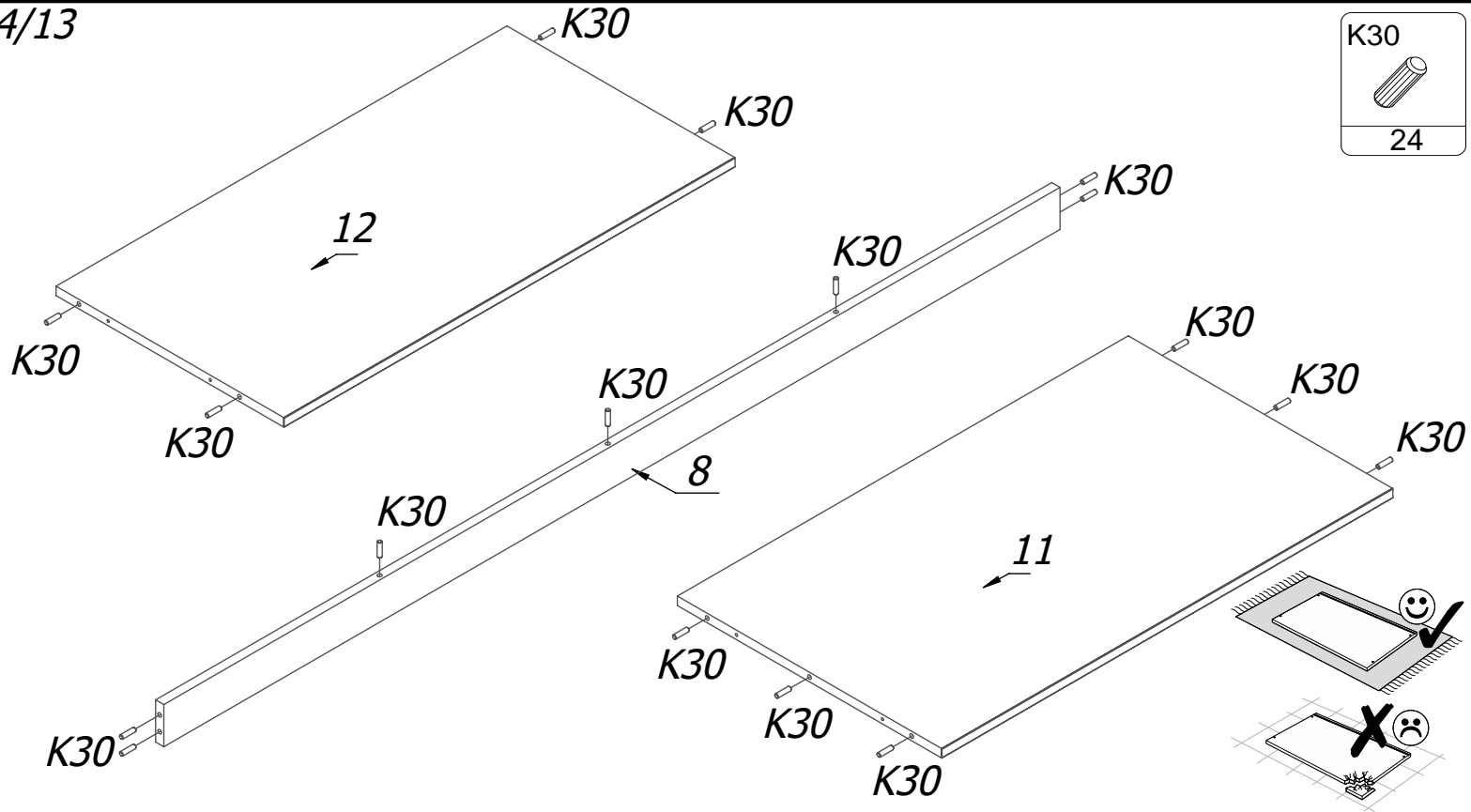
K30

6


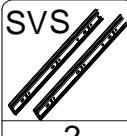




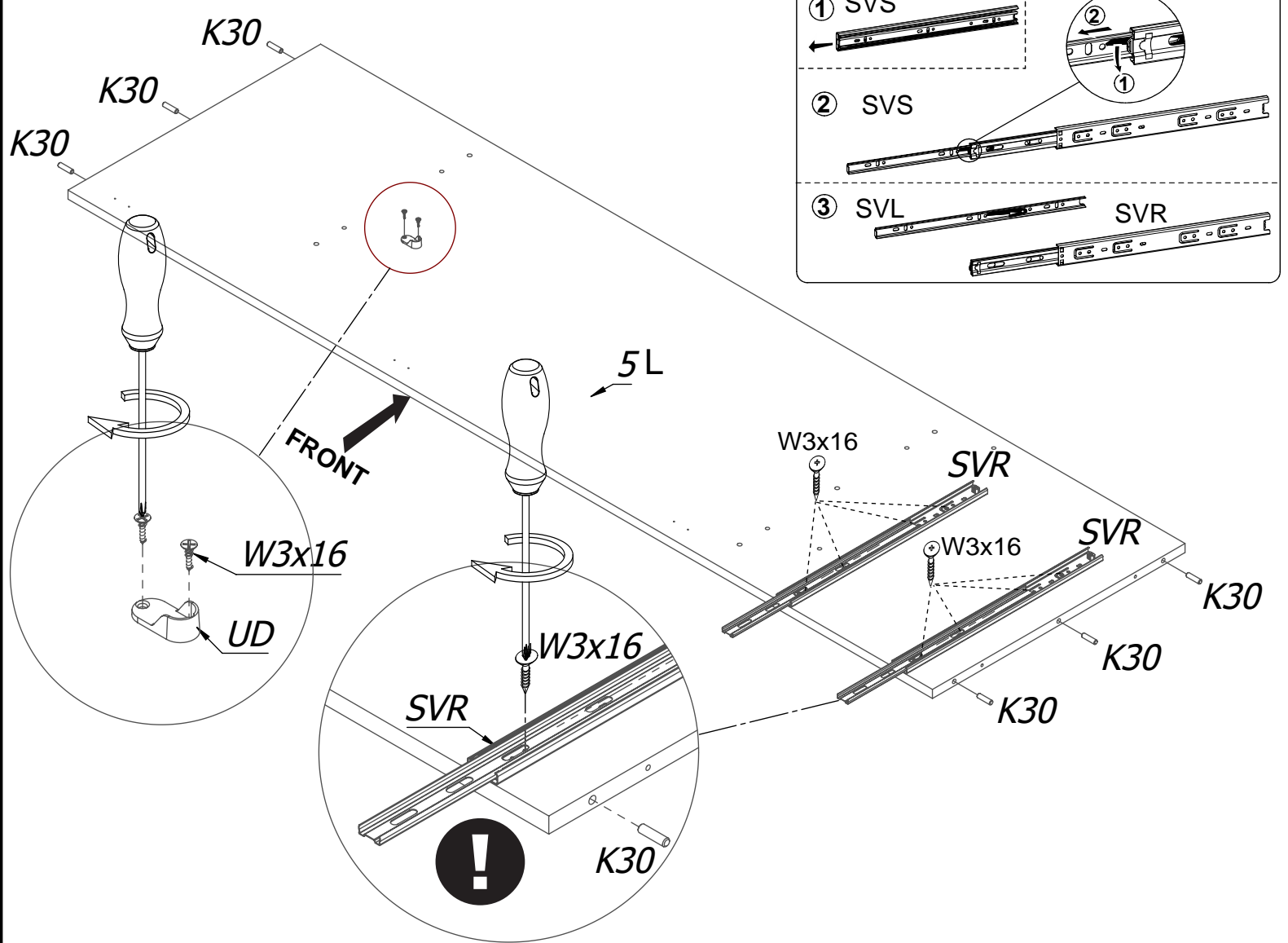
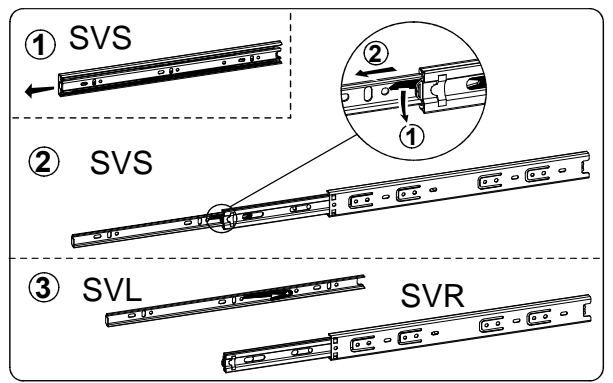
K30

6







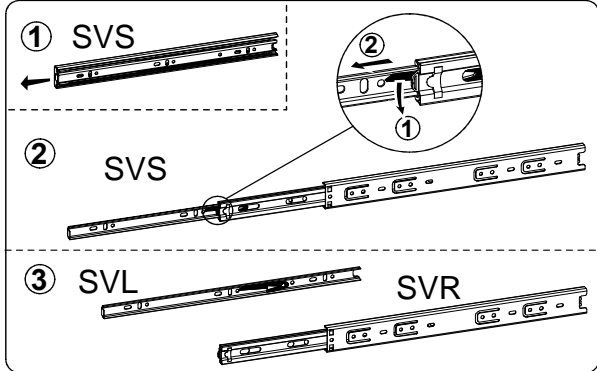
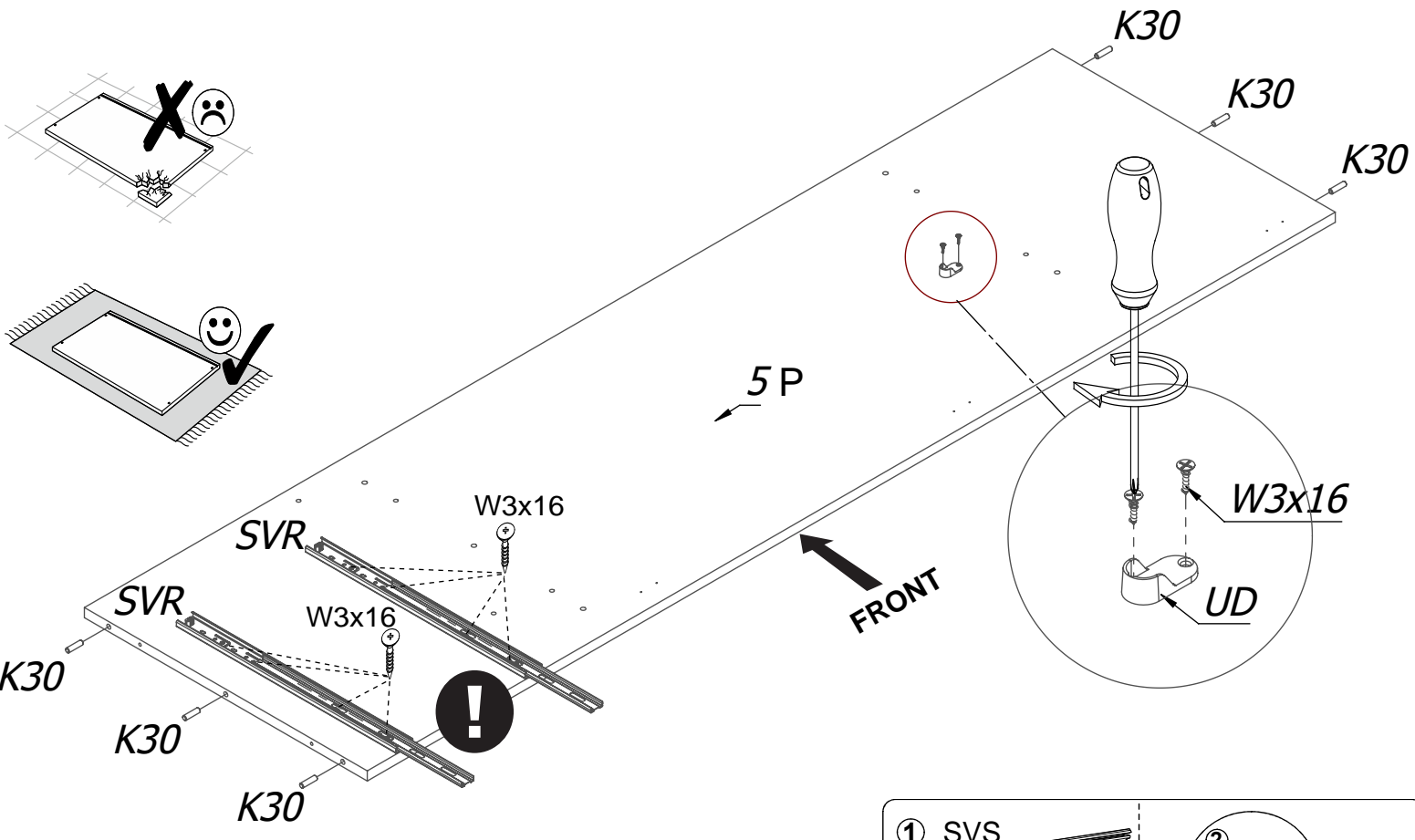
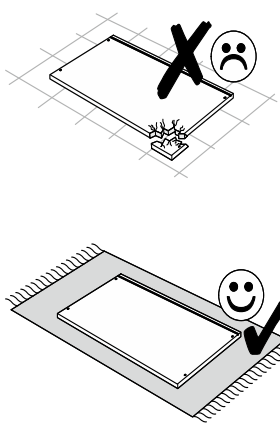
K30

24

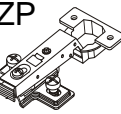



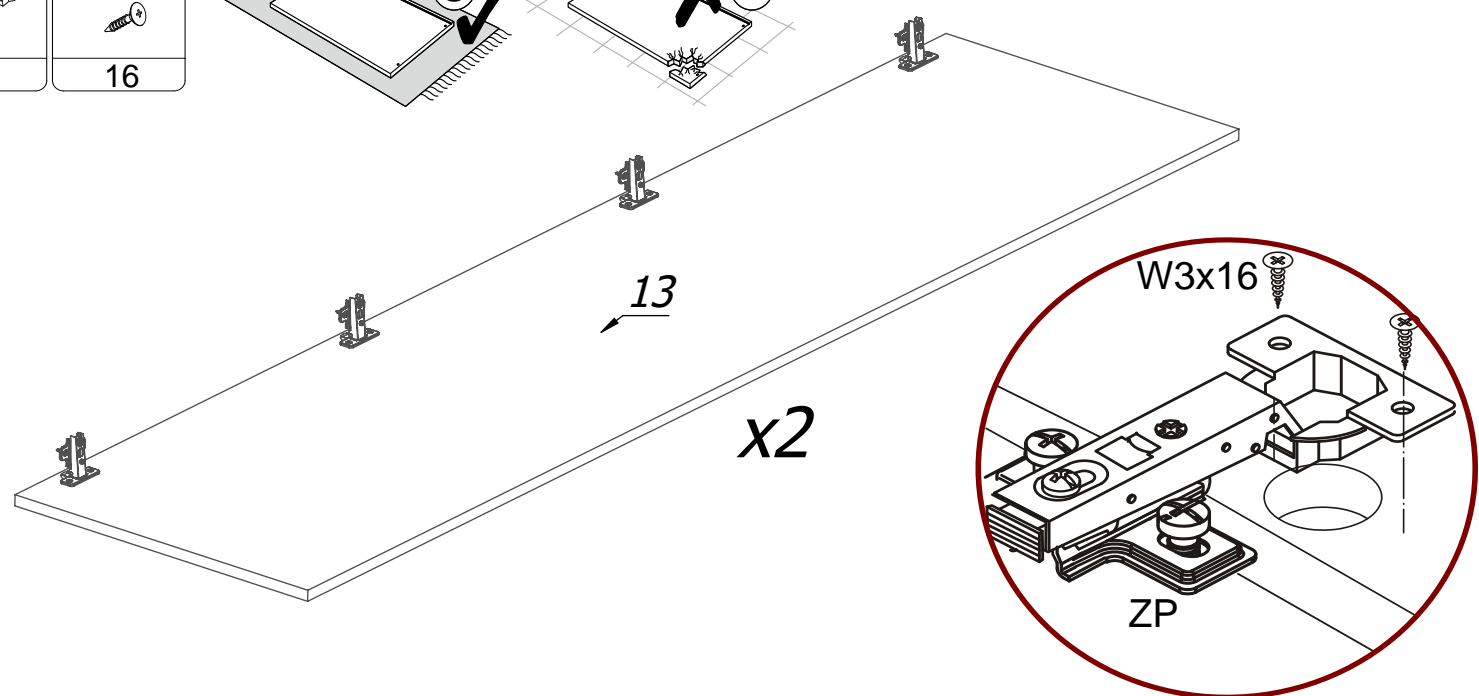
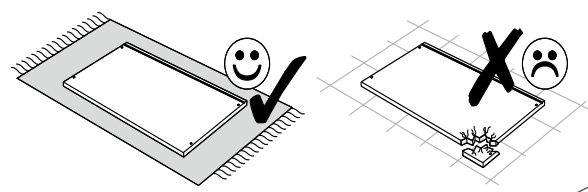
K30	SVS	UD	W3x16
			
6	2	1	10

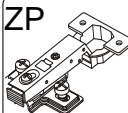



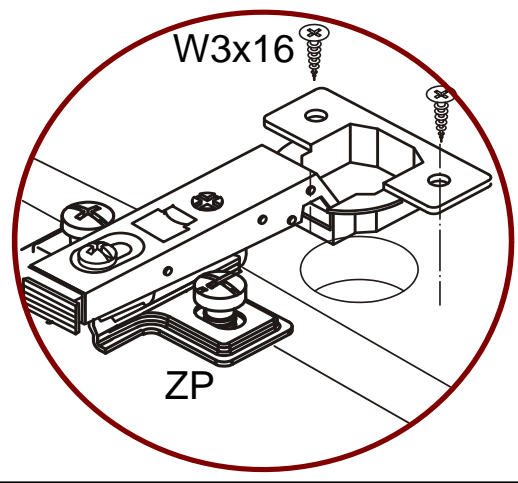
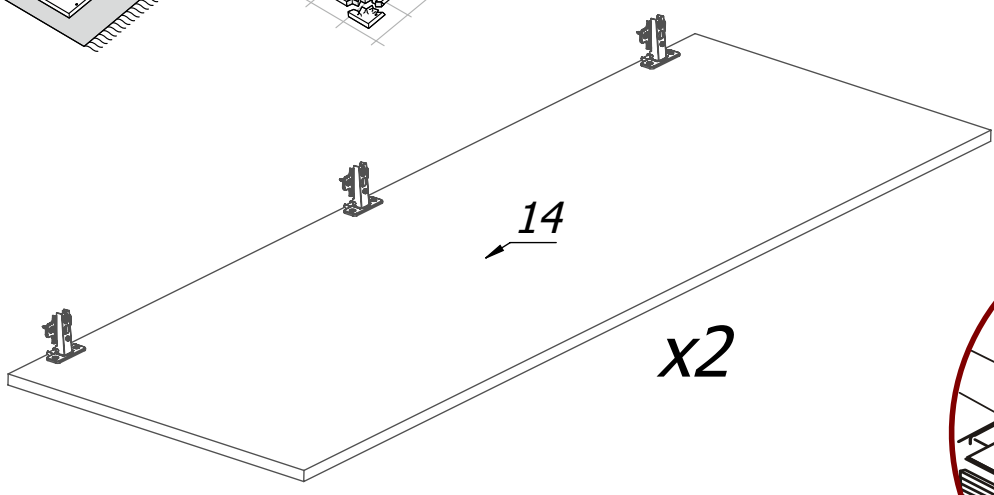
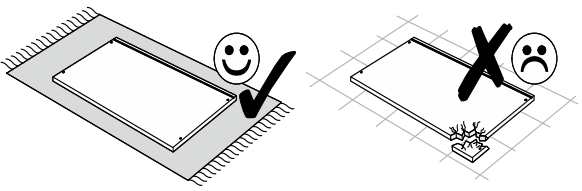
K30 	SVS 	UD 	W3x16 
6	2	1	10


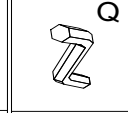


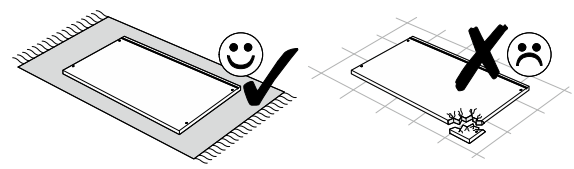
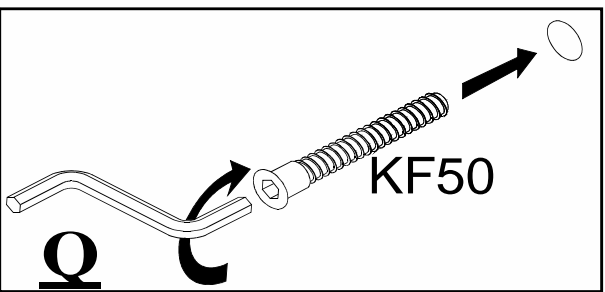
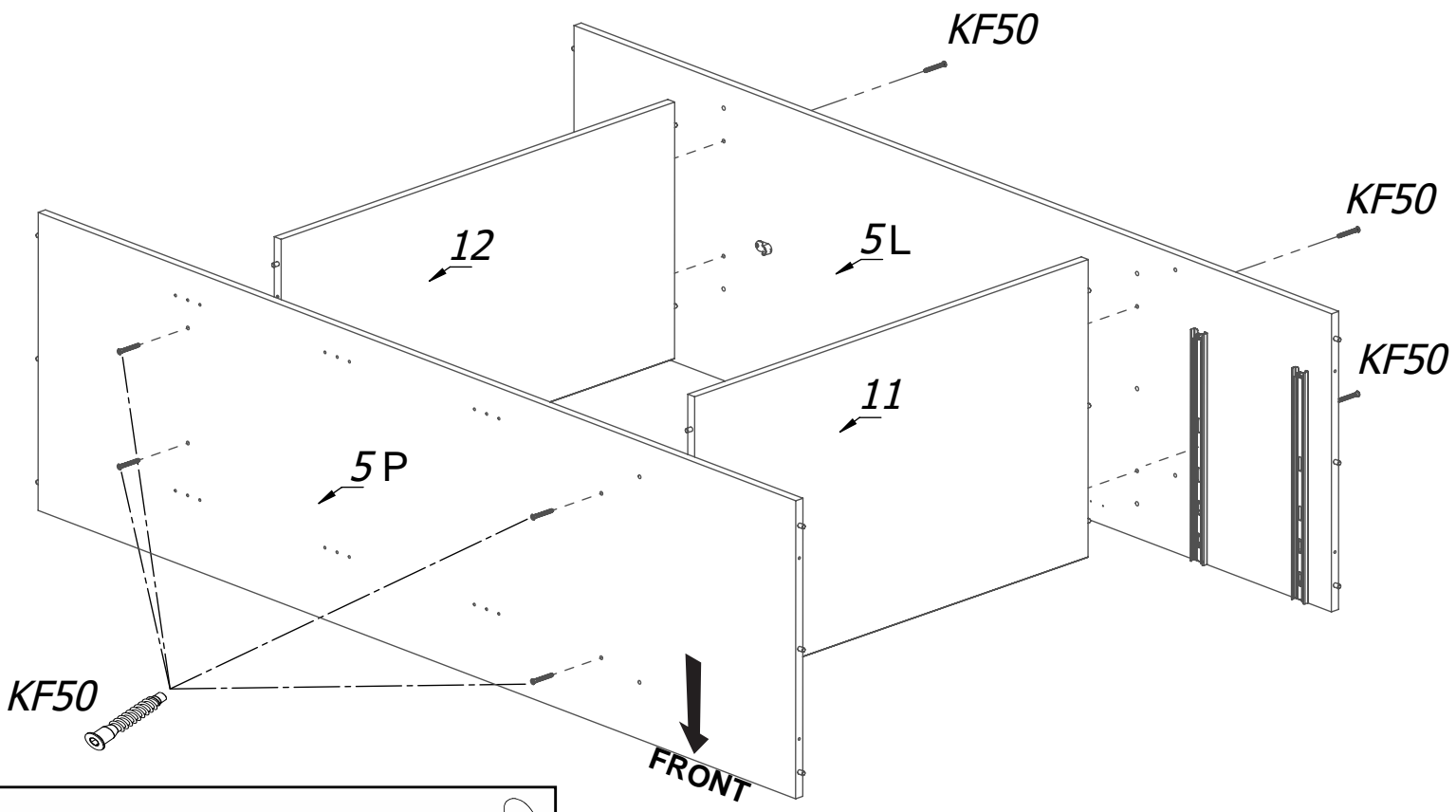
ZP 	W3x16 
8	16

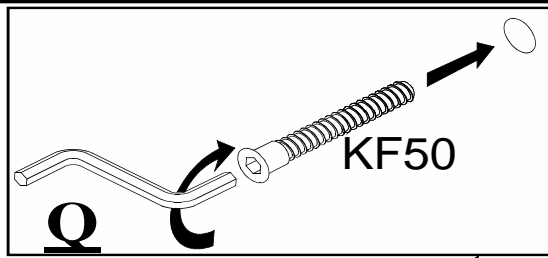


ZP  6	W3x16  12
-----------------------------------------------------------------------------------------------	---------------------------------------------------------------------------------------------------

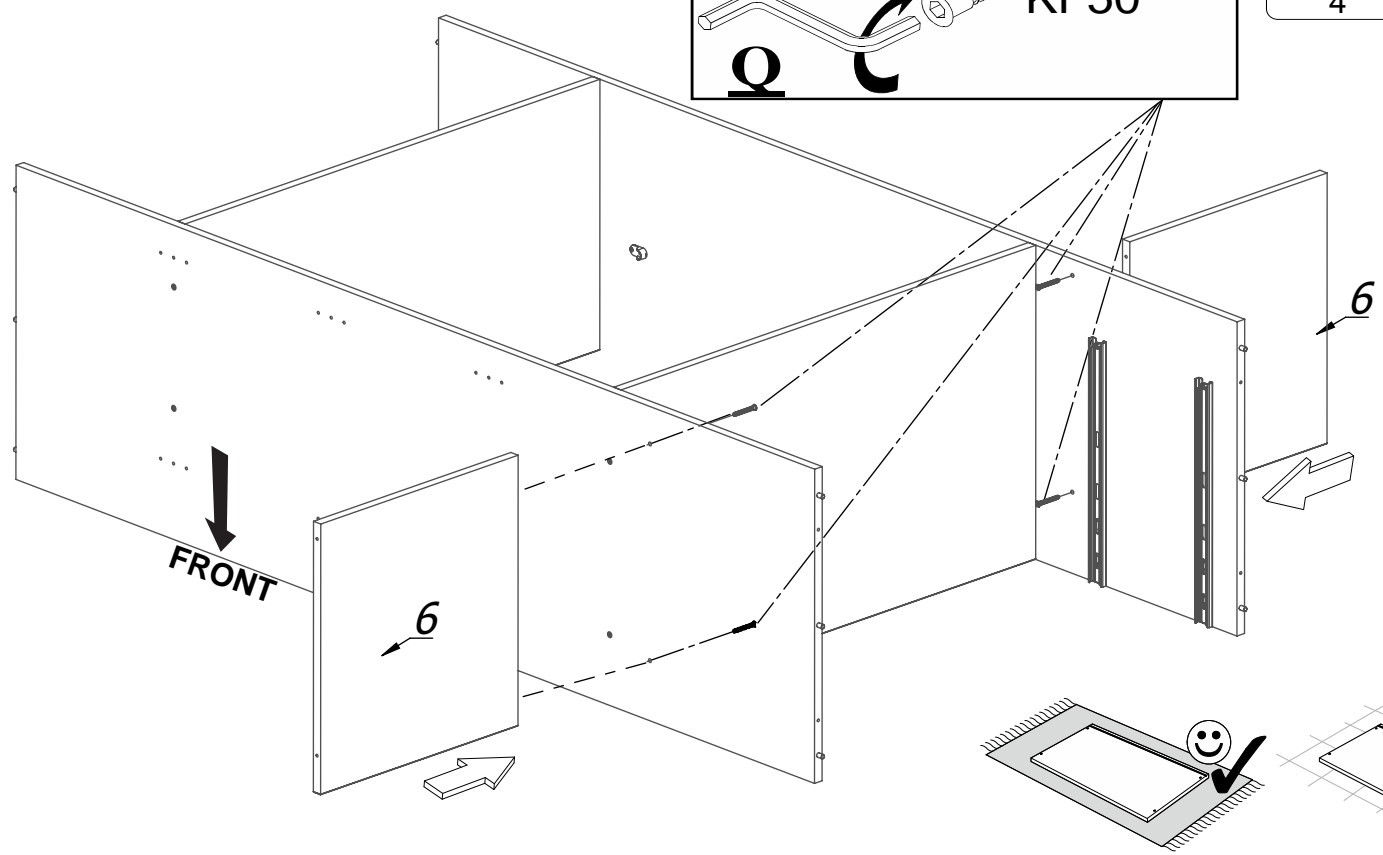


KF50  8	Q  1
---------------------------------------------------------------------------------------------------	------------------------------------------------------------------------------------------------

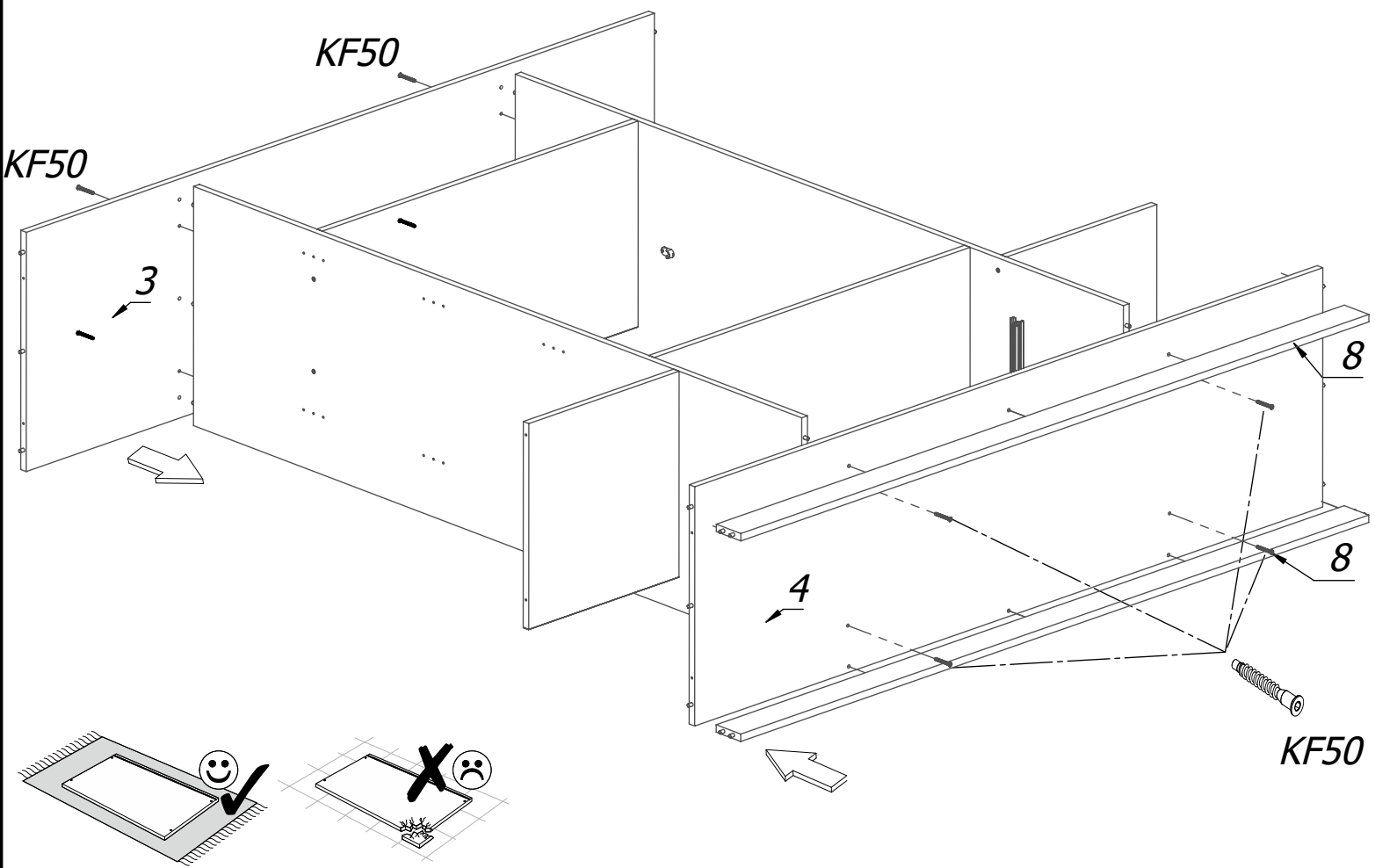






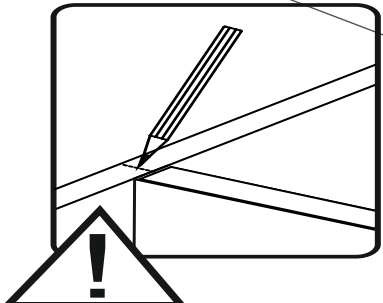
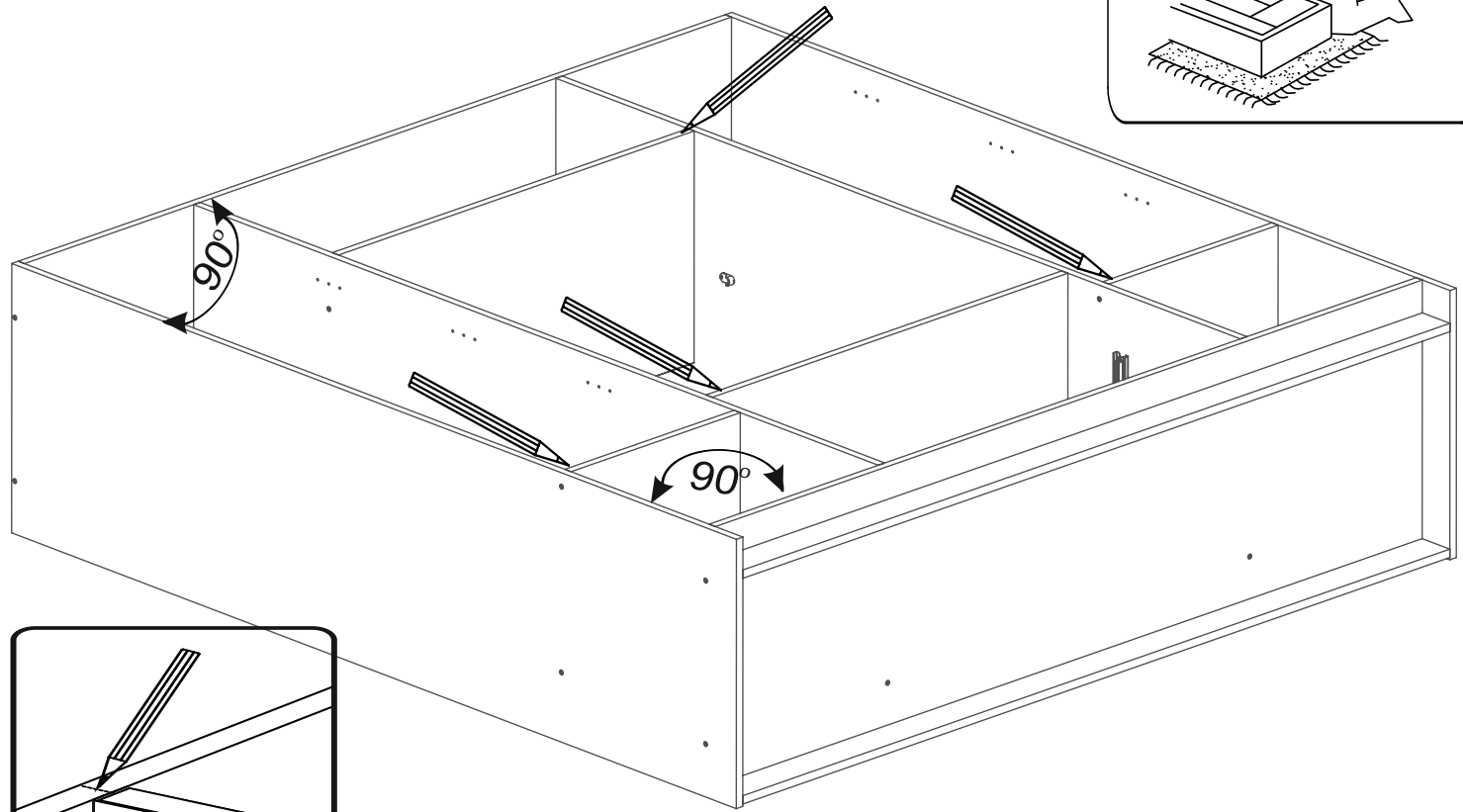
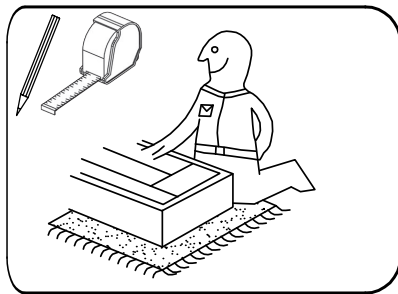
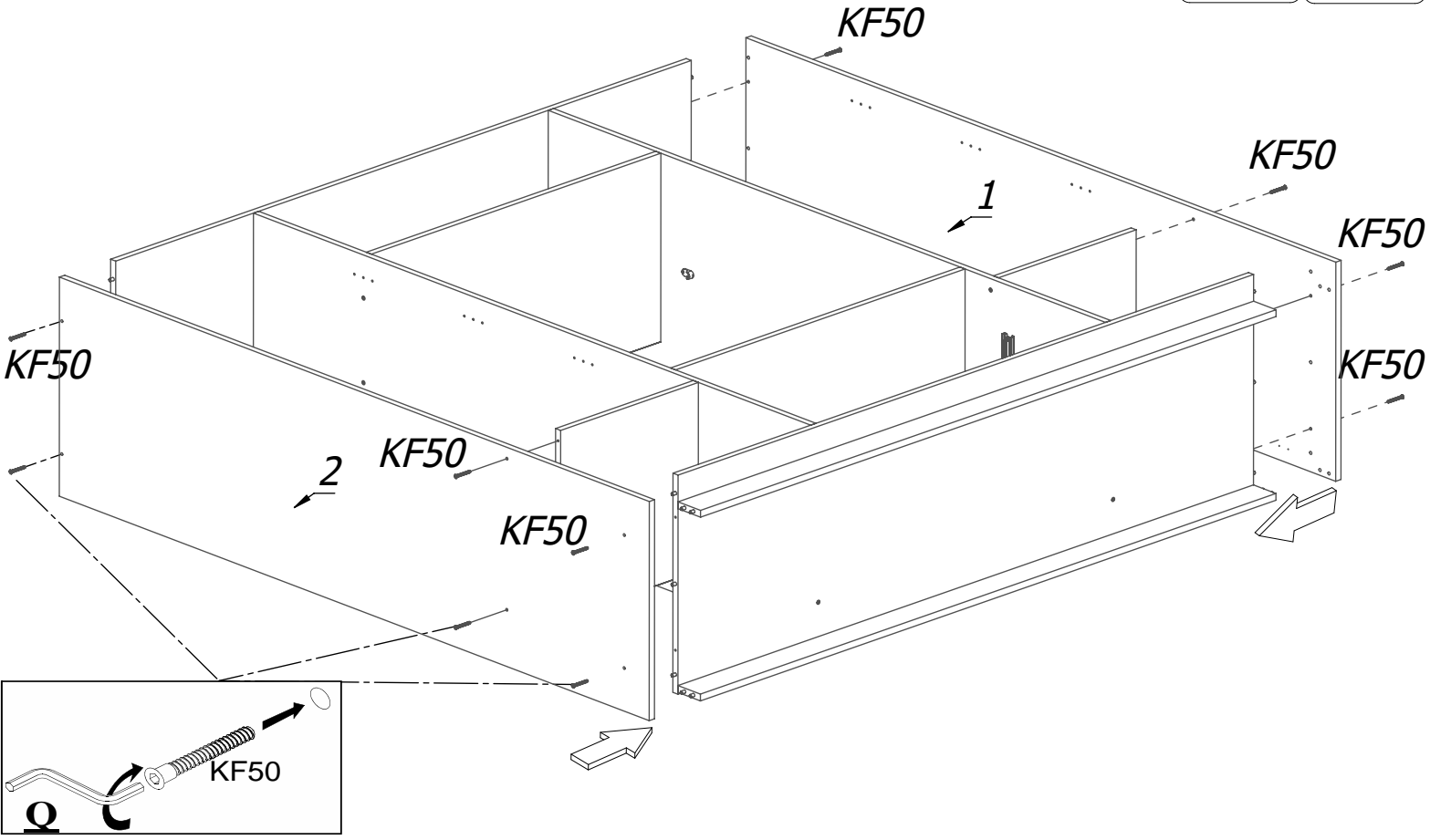
KF50	Q
4	1

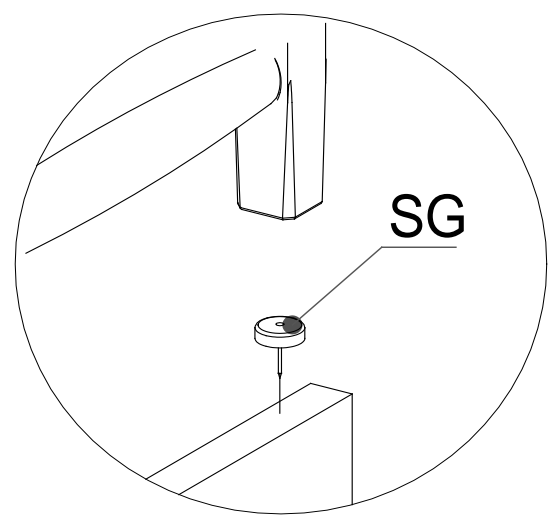
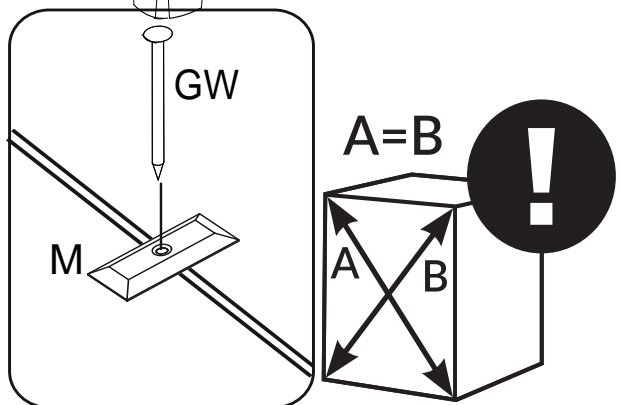
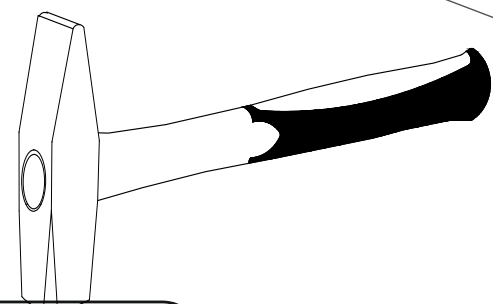
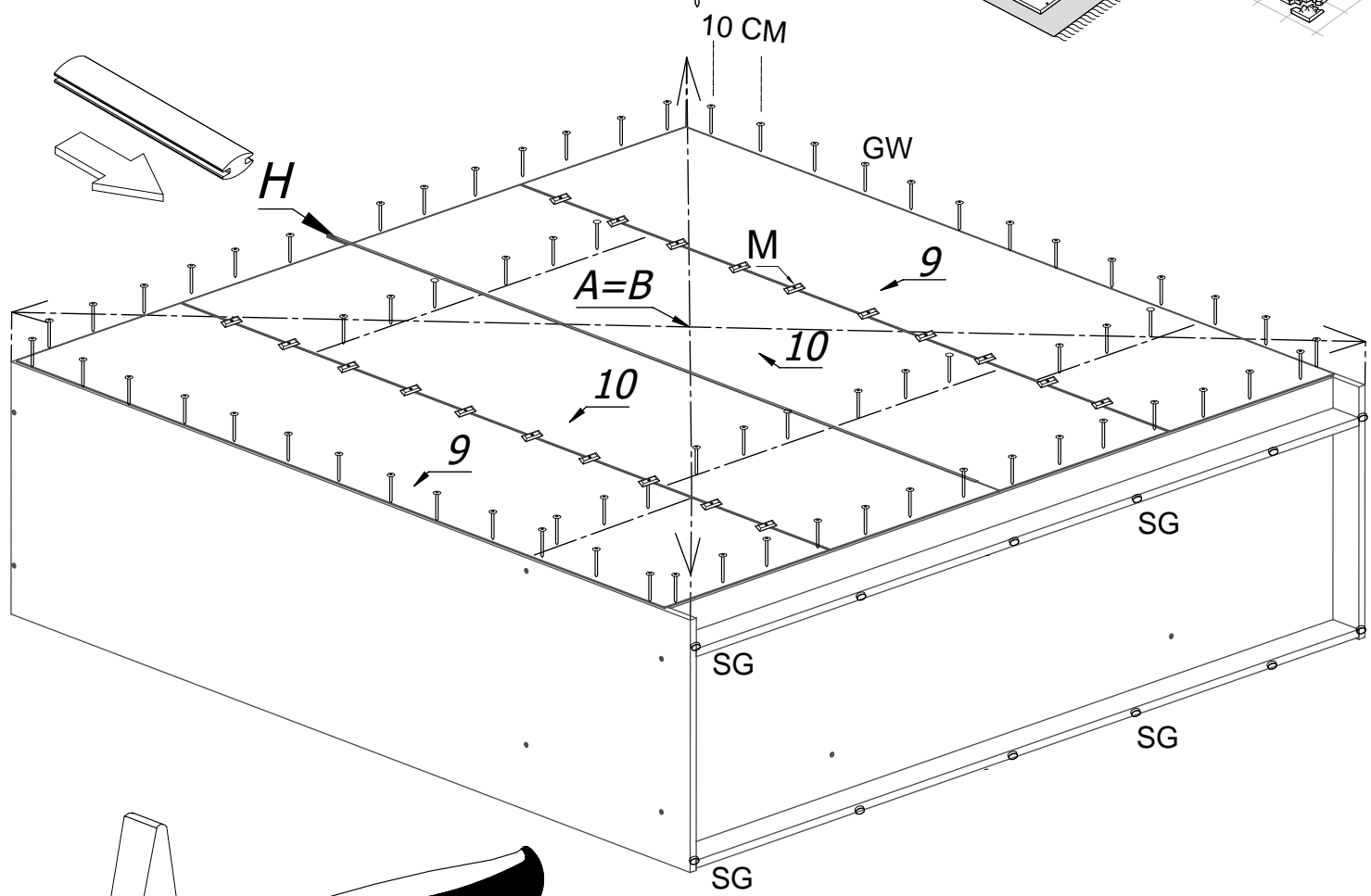
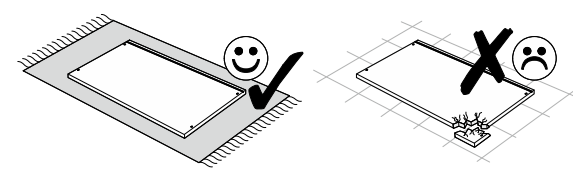
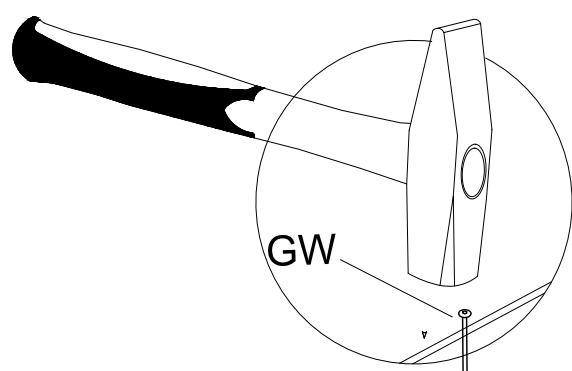
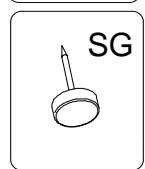
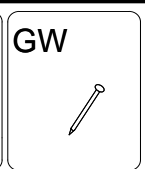
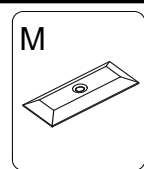




KF50	Q
8	1

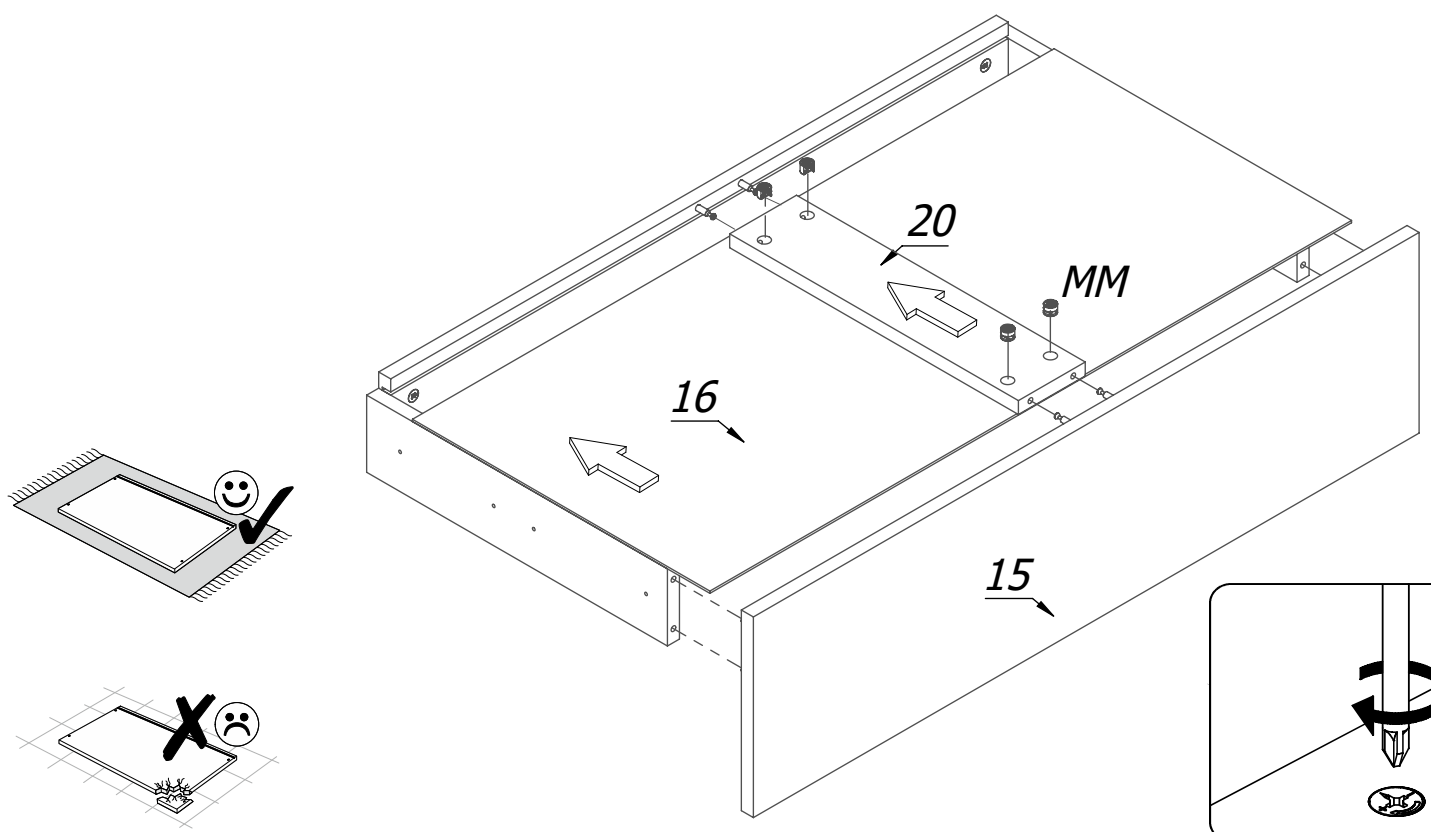
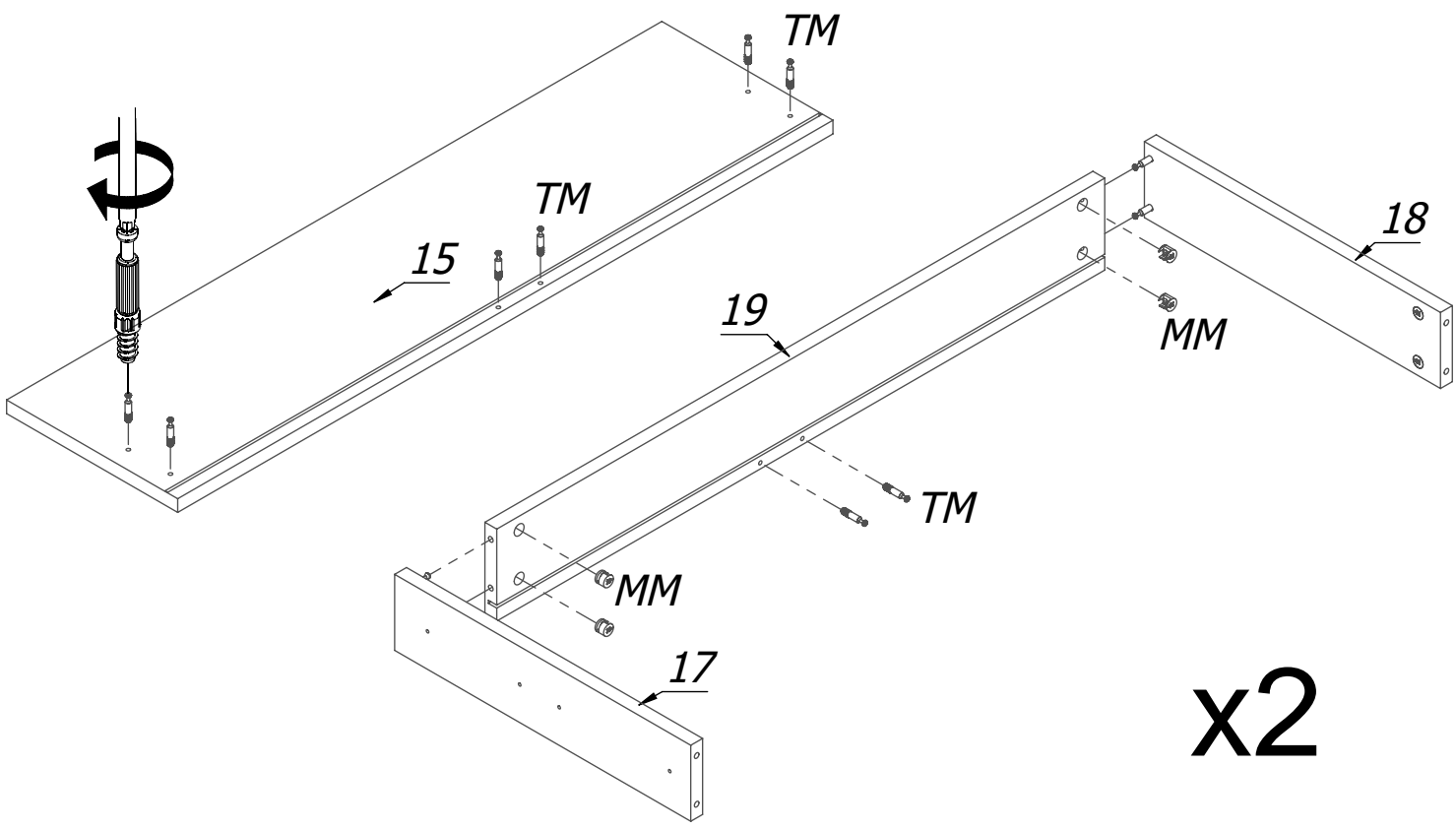
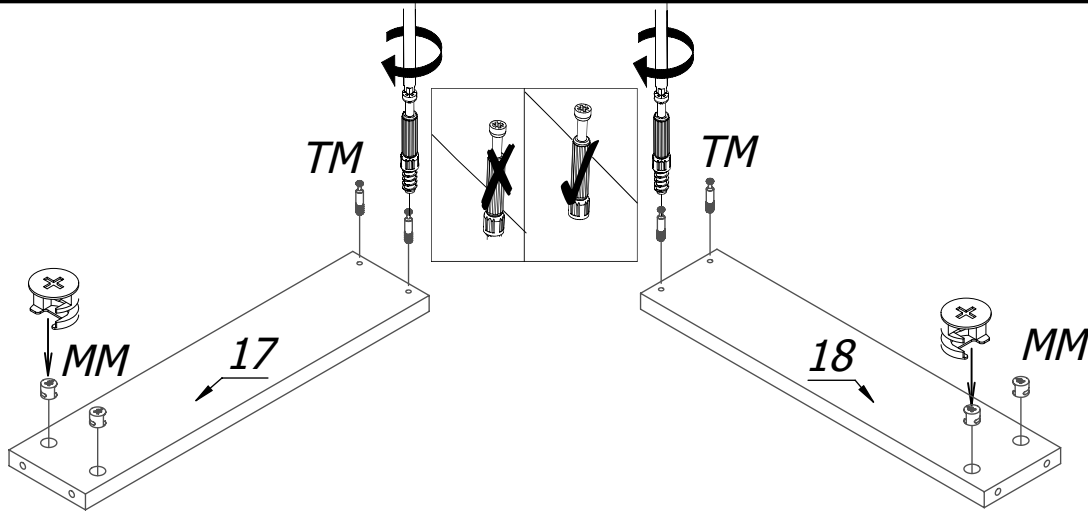







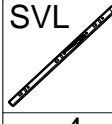
KF50 	Q 
12	1

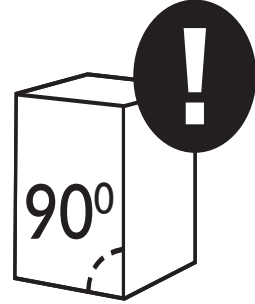
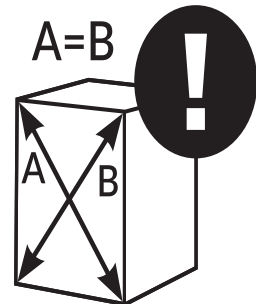
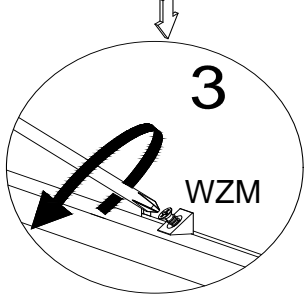
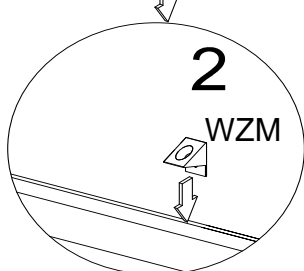
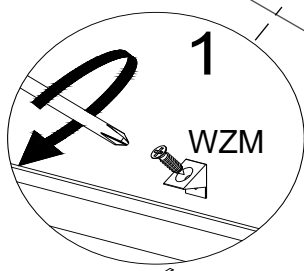
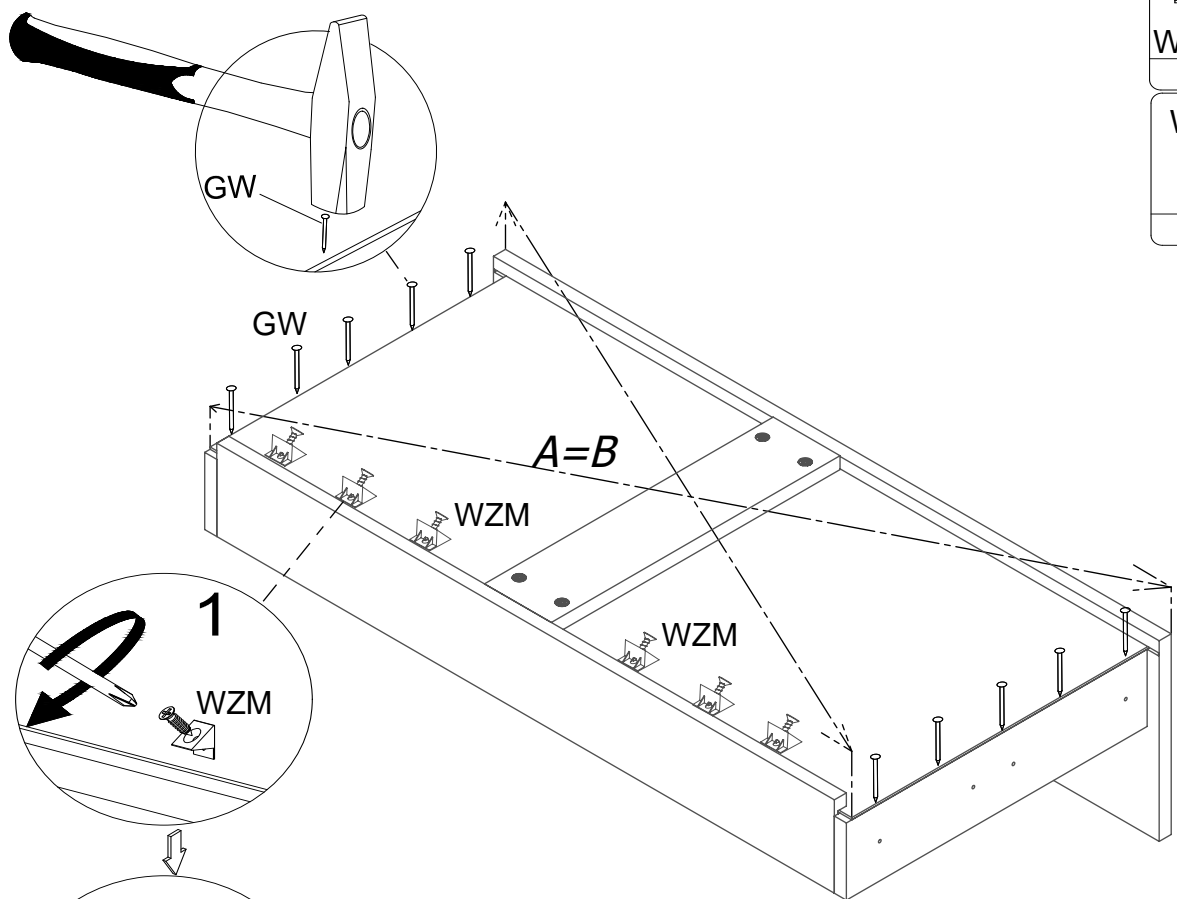




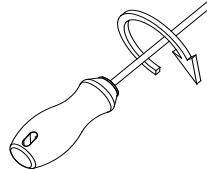
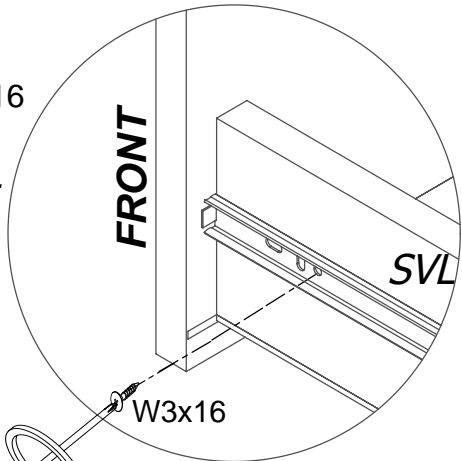
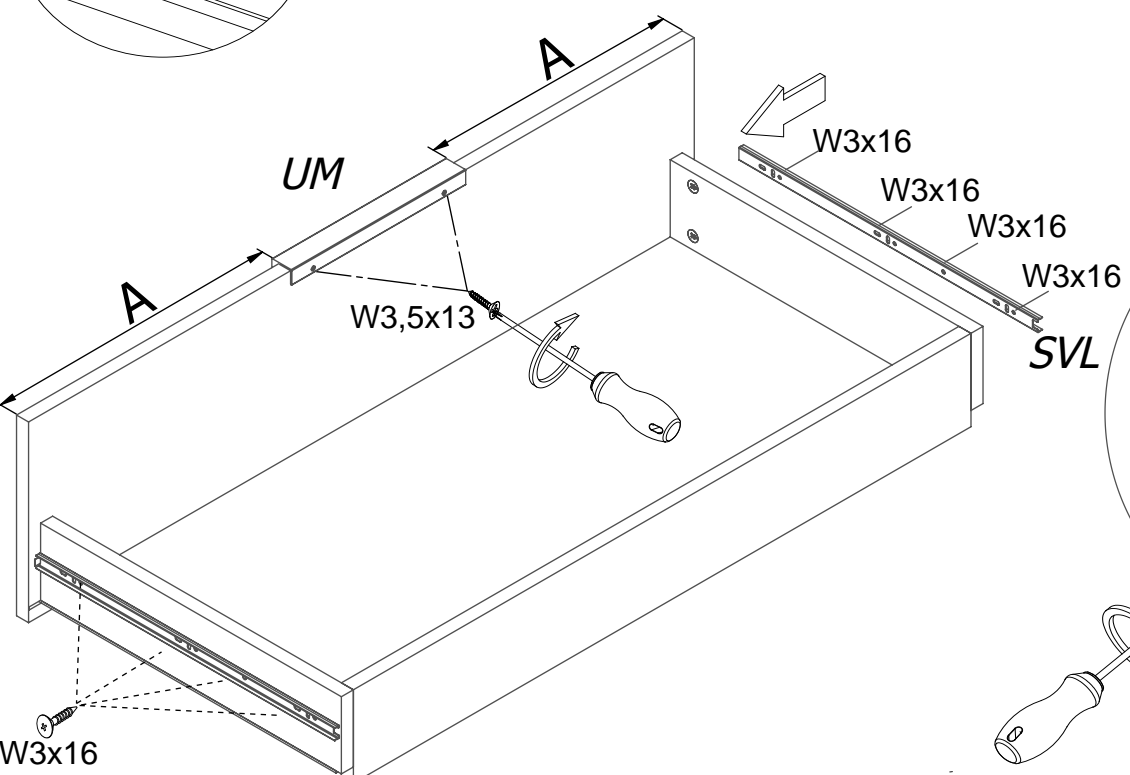
 MM 24	 TM 24
------------------------------------------------------------------------------------------------	------------------------------------------------------------------------------------------------



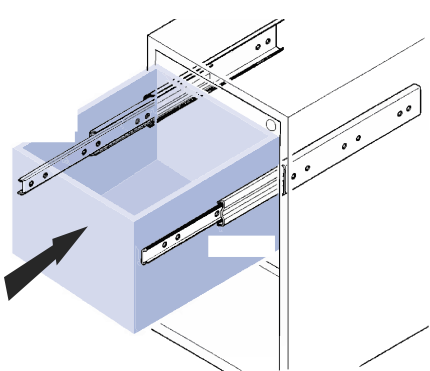
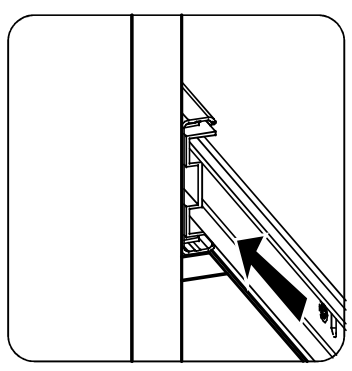
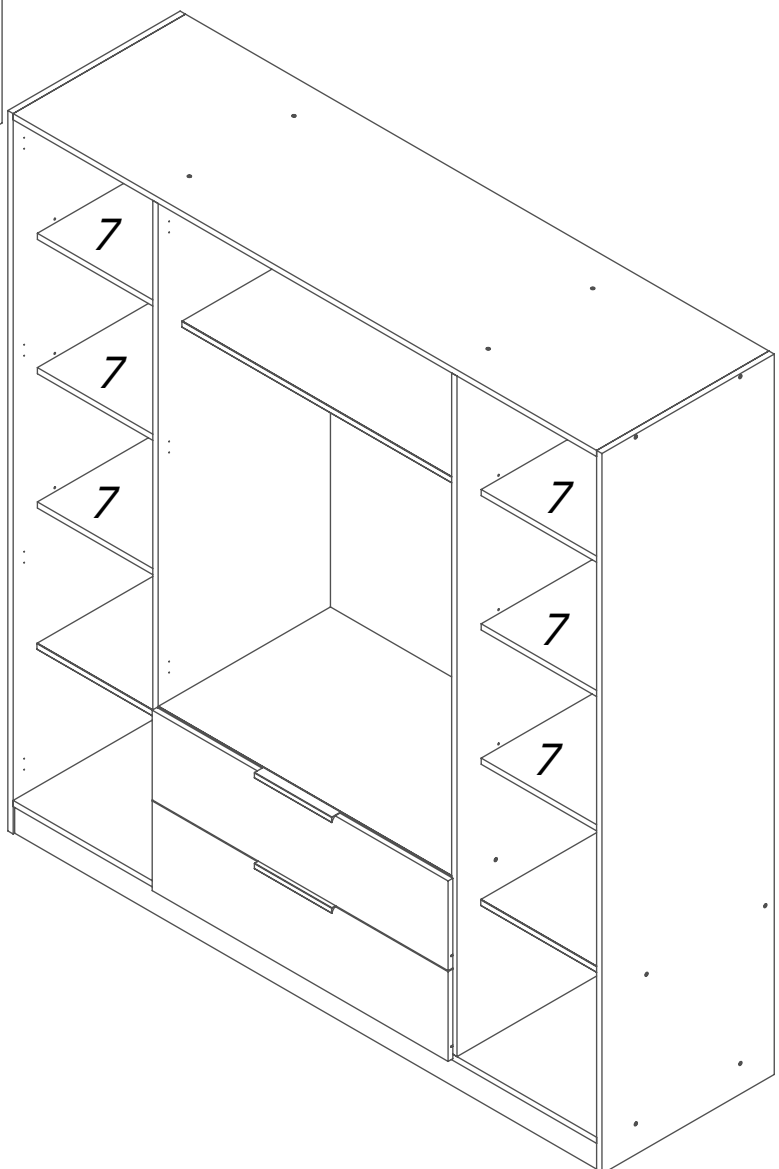
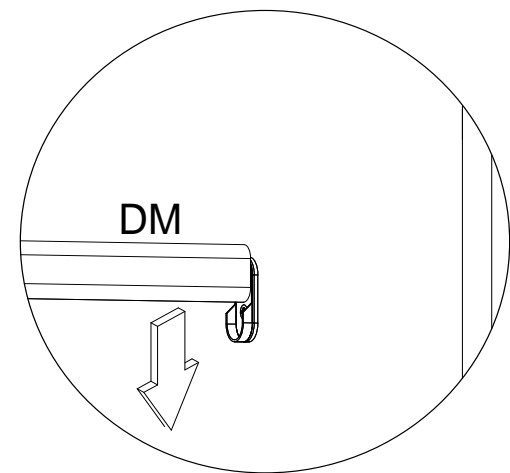
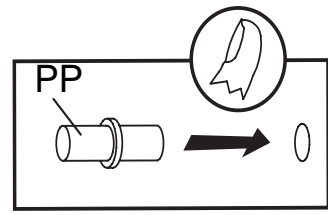
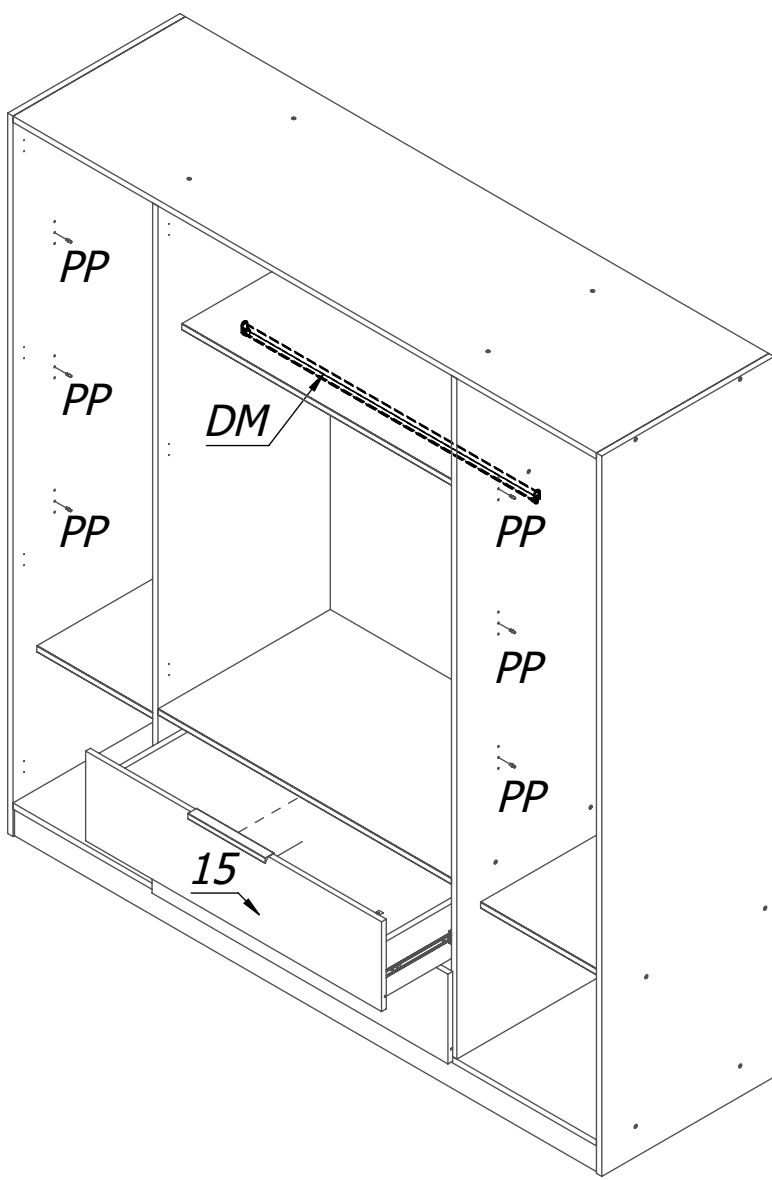
 WZM 12	 UM 2	 GW 1
 W3x16 16	 W3,5x13 4	 SVL 4

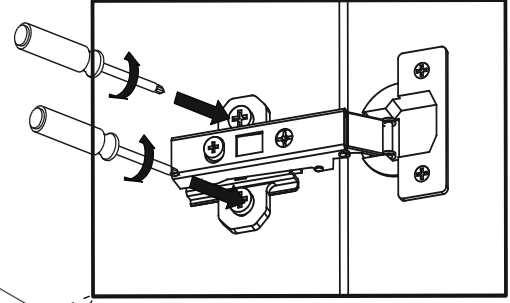


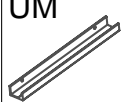
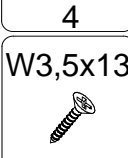
x2



PP
24





- UM  4
- W3,5x13  8
- 8

